

LILY TABLELAMP

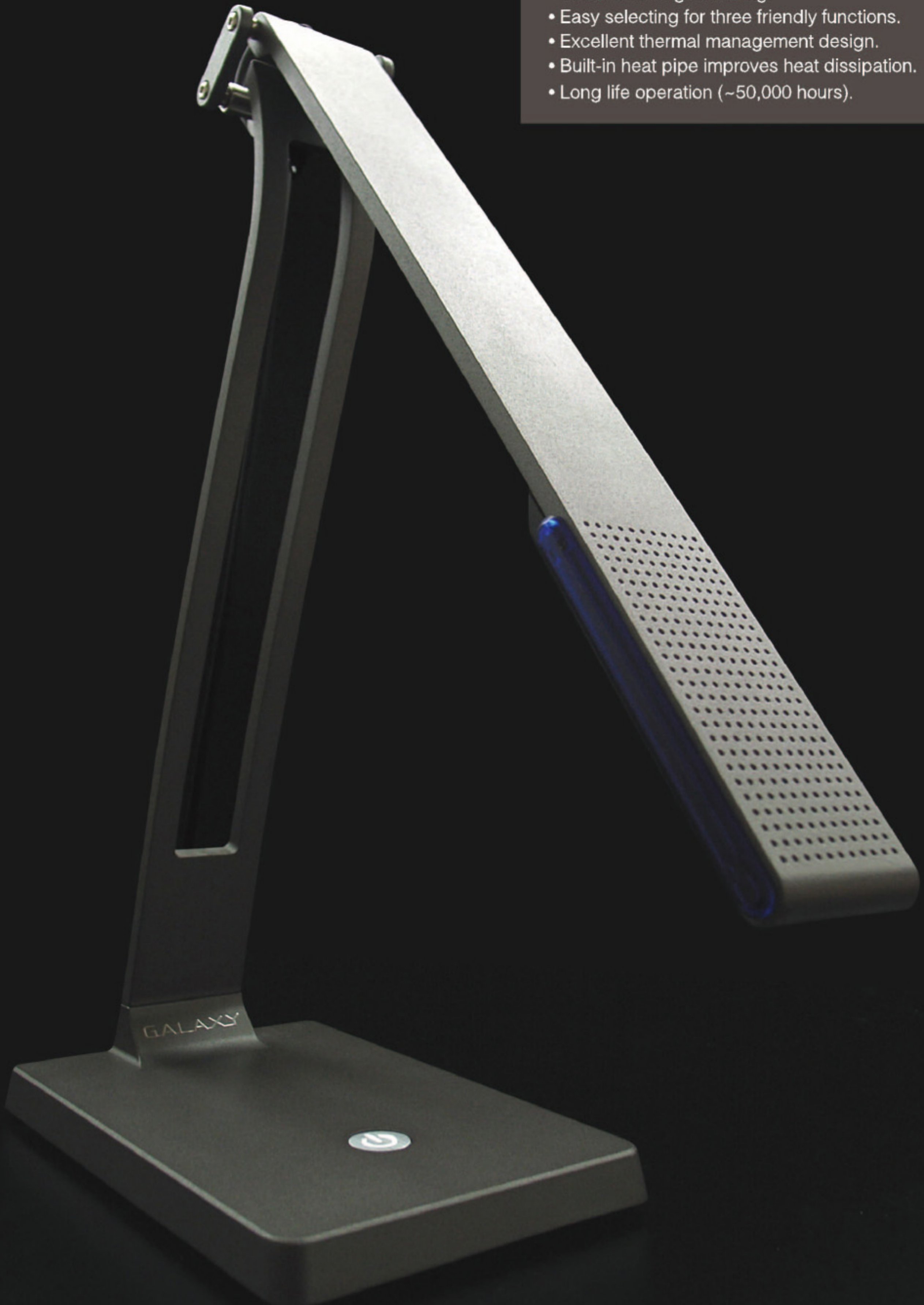
APPLICATIONS

Area: Indoor use only.

Purpose: Reading lamp.

FEATURES

- Elegant metal base with simple and slim design.
- No flicker of light.
- No UV and IR radiation.
- Touch dimming switching.
- Easy selecting for three friendly functions.
- Excellent thermal management design.
- Built-in heat pipe improves heat dissipation.
- Long life operation (~50,000 hours).



LILY TABLELAMP

Product Series

model number	color temperature	Light source	Color
LIBR12	5200K	8x1W	silver
LIBR22	5200K	8x1W	dark iron
LIBR13	3000K	8x1W	silver
LIBR23	3000K	8x1W	dark Iron

Applications & Purpose

Area: Indoor use only.
Purpose: Reading lamp.

Specifications

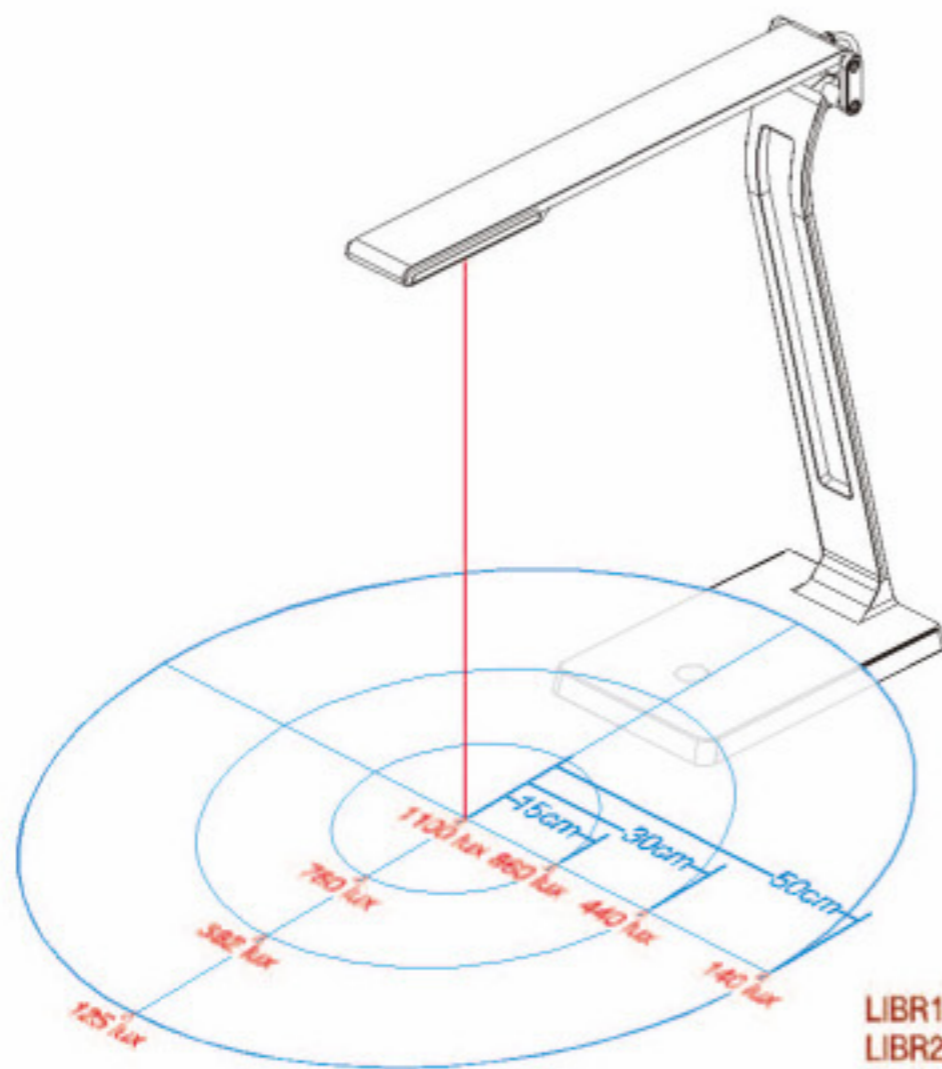
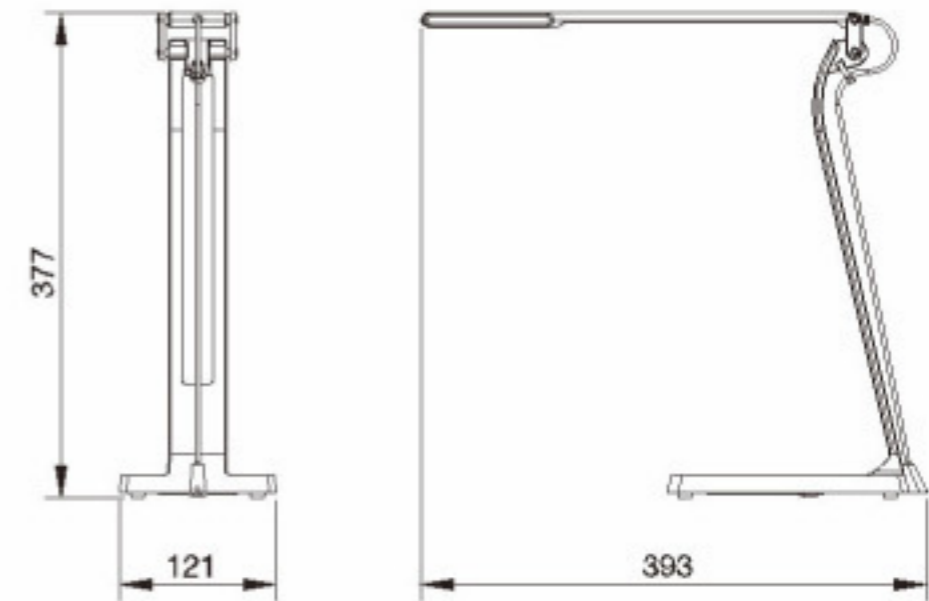
- Outline Dimension: 393(L)x121(W)x377(H) mm
- LED Light Source : Nichia 083(1Wx8ea)
- Input Voltage: 90-240V AC ,50-60Hz
- Power Consumption: 12W
- Operation Temperature: 0°C-40°C

Packaging Information

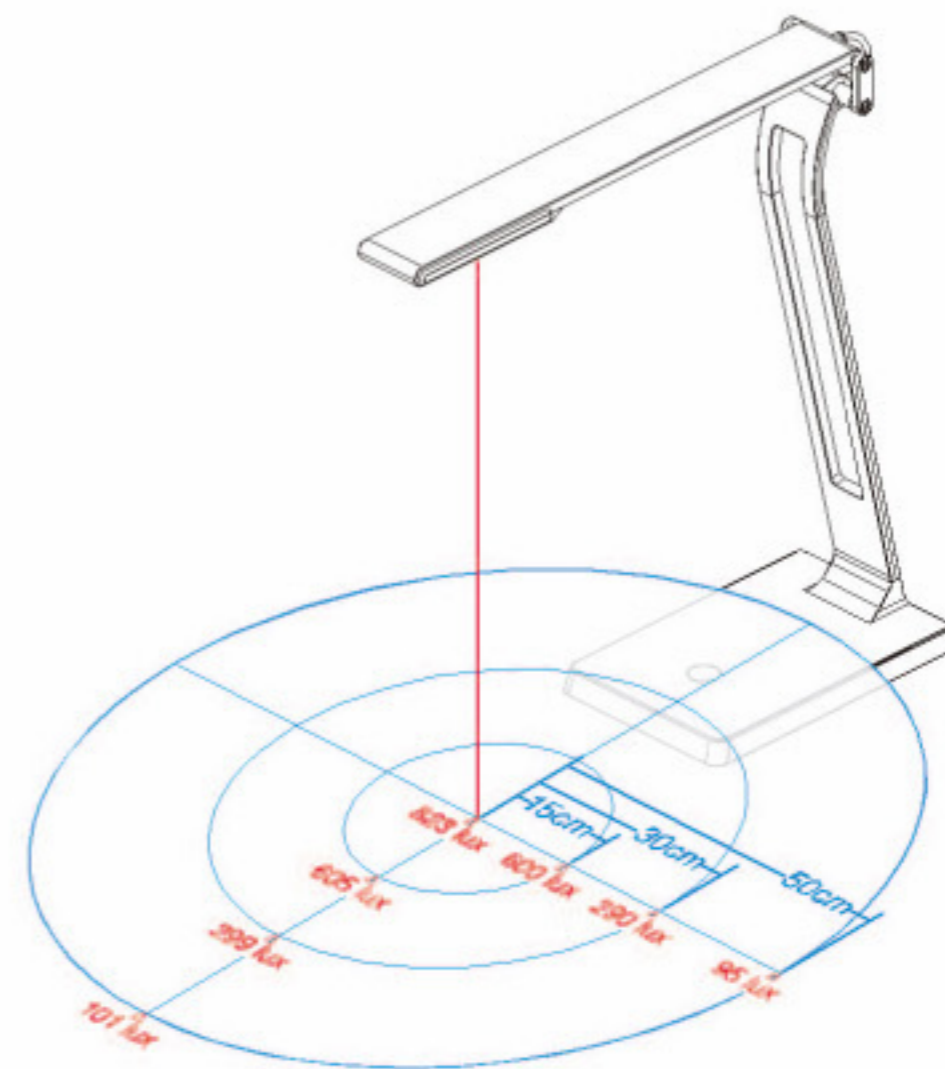
Packing: 4 boxes / carton		
box	270X130X440(mm)	2750g
carton	540X467X320(mm)	12.5kg

Optical Performance

Color Temp	Model Number	Beam Angle	Output Lumens
5200±400K	LIBR12(Silver) LIBR22(Dark Iron)	120 degree	420
3000±300K	LIBR13(Silver) LIBR23(Dark Iron)	120 degree	315



LIBR12
LIBR22
(5200K)



LIBR13
LIBR23
(3000K)