

115W STREET LIGHT

Product Series

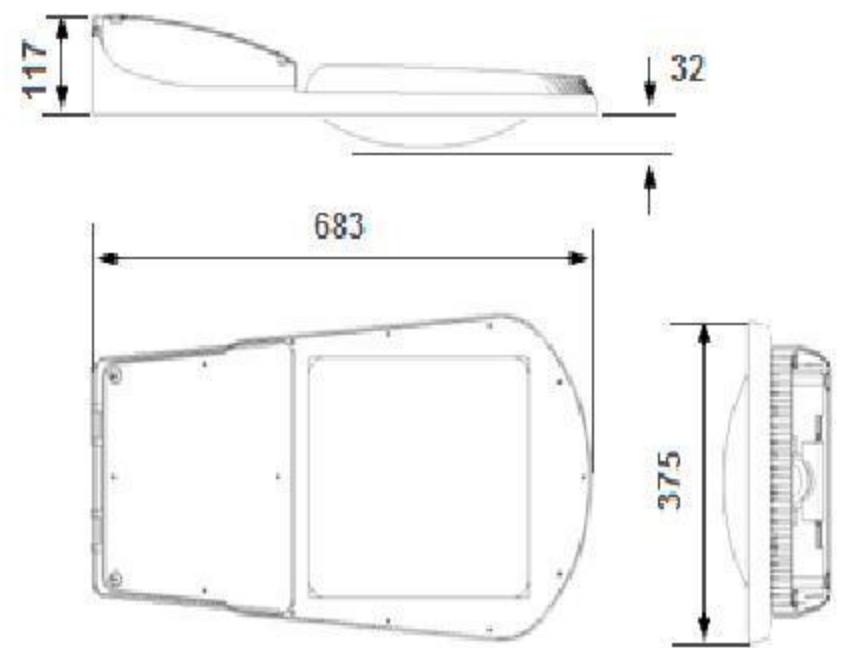
model number	color temperature	Power consumption	External voltage
SL5KTH	5200K	115W	90~260Vac
SL3KTH	3000K	115W	90~260Vac

Applications & Purpose

Area: Outdoor
Purpose: Street and Roadway Lighting.

Specifications

Outline Dimension: 683 (L) x 375 (W) X 117 (H) mm
LED Light Source: Nichia 083(BT) x 108 ea
Color Temperature: 5200±400 K / 3000±300 K
External Input Voltage: 90~260 Vac
Total Power: 115W
Operation Temperature: -30°C~50°C
IP Level: IP66
Power Factor: >0.95@115W Full loading
Weight: 10.5kg
Hole size (Max. Diameter): 64mm



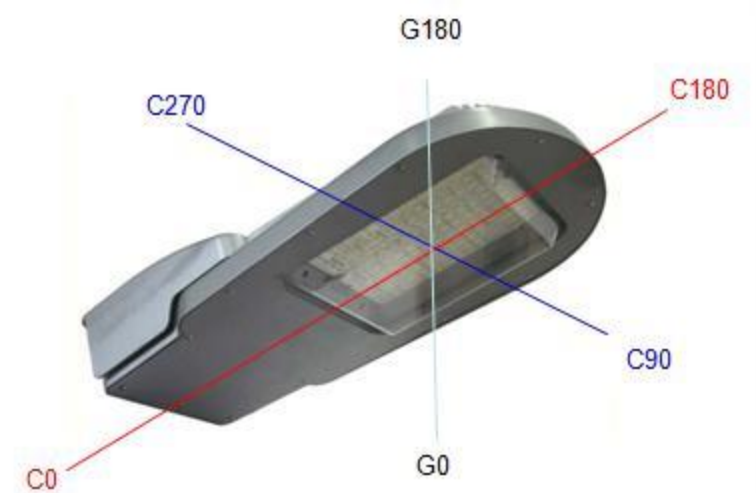
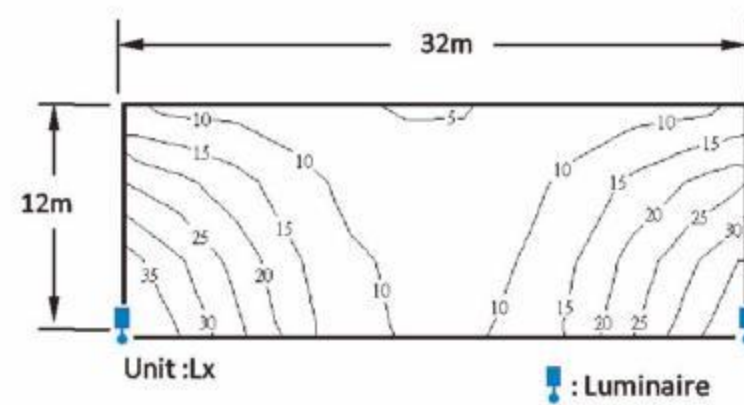
Packaging Information

Packing: 1 pcs. / carton		
carton	745X425X200(mm)	12kg

Optical Performance

CCT	Model Number	Lumens(typ.)
5200±400K	SL5KTH	9200
3000±300K	SL3KTH	7360

Roadway Surface illuminance distribution at 8m Height



115Watt, 9200 Lm, 5200K	
Max.	38 Lx
Avg.	16.5Lx
Min.	5.9 Lx
Uniformity(Min./Avg.)	0.36

- (1) Pole Distance(1) : 32m
- (2) Road Width(2) : 12m
- (3) Mounting Height(3) : 8m
- (4) Boom Angle(4) : 10°
- (5) Boom Length(5) : 2 m

