

# 150W STREET LIGHT

## Product Series

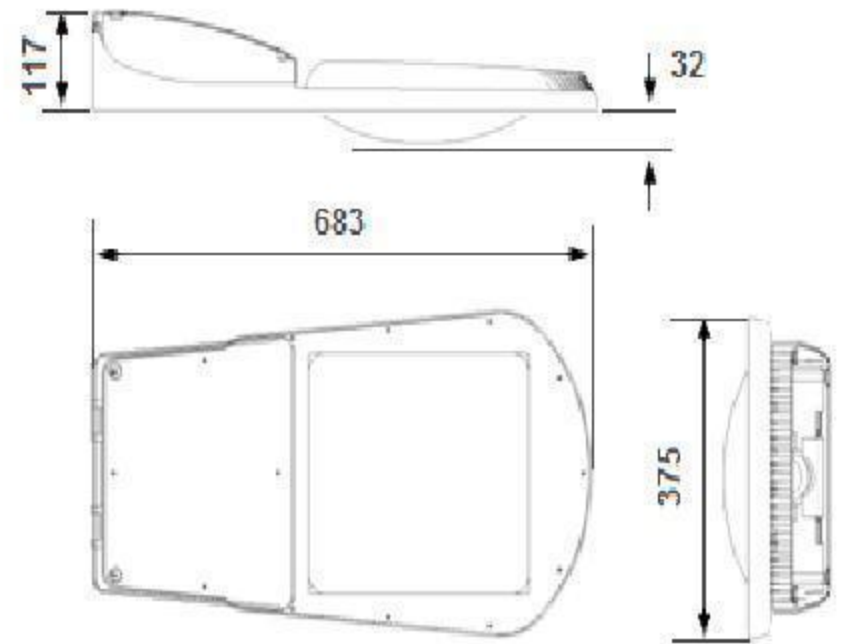
model number	color temperature	Power consumption	External voltage
SL5PTH	5200K	150W	90~260Vac
SL3PTH	3000K	150W	90~260Vac

## Applications & Purpose

Area: Outdoor  
Purpose: Street and Roadway Lighting.

## Specifications

Outline Dimension: 683 (L) x 375 (W) X 117 (H) mm  
LED Light Source: Nichia 083(BT) x 156 ea  
Color Temperature: 5200±400 K / 3000±300 K  
External Input Voltage: 90~260 Vac  
Total Power: 150W  
Operation Temperature: -30°C~50°C  
IP Level: IP66  
Power Factor: >0.95@150W Full loading  
Weight: 10.5kg  
Hole size (Max. Diameter): 64mm



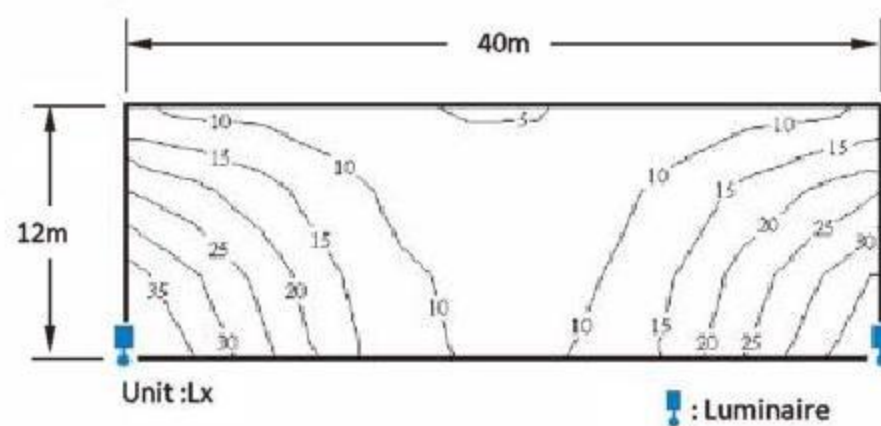
## Packaging Information

Packing: 1 pcs. / carton		
carton	745X425X200(mm)	12kg

## Optical Performance

CCT	Model Number	Lumens(typ.)
5200±400K	SL5PTH	12000
3000±300K	SL3PTH	9600

## Roadway Surface illuminance distribution at 10m Height



150Watt, 12000 Lm, 5200K	
Max.	32 Lx
Avg.	15 Lx
Min.	6.5 Lx
Uniformity(Min./Avg.)	0.43

- (1) Pole Distance(1) : 40m
- (2) Road Width(2) : 12m
- (3) Mounting Height(3) : 10m
- (4) Boom Angle(4) : 10°
- (5) Boom Length(5) : 2 m

